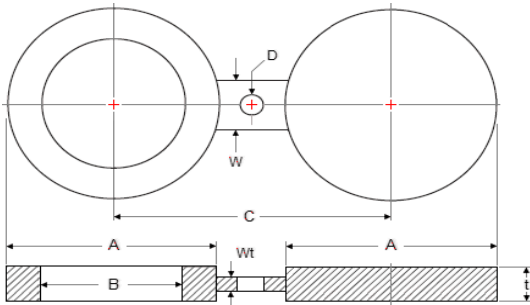


ANSI/ASME B16.48 CLASS 900 SPECTACLE BLIND FLANGES



| Nominal Pipe Size | O.D. | I.D. | Center Line | Thickness | Web Width |
|-------------------|------|------|-------------|-----------|-----------|
| inch | A | B | C | t | W |
| 01.Feb | 60 | 16 | 80 | 6.4 | 38 |
| 03.Apr | 67 | 21 | 90 | 6.4 | 41 |
| 1 | 76 | 27 | 100 | 6.4 | 57 |
| 1.1/4 | 86 | 37 | 110 | 9.7 | 57 |
| 1.1/2 | 95 | 43 | 125 | 9.7 | 67 |
| 2 | 140 | 55 | 165 | 12.7 | 57 |
| 2.1/2 | 162 | 67 | 190 | 12.7 | 67 |
| 3 | 165 | 83 | 190 | 15.7 | 67 |
| 4 | 203 | 108 | 235 | 19.1 | 76 |
| 5 | 244 | 135 | 280 | 22.4 | 86 |
| 6 | 286 | 162 | 320 | 25.4 | 86 |
| 8 | 356 | 212 | 395 | 35.1 | 95 |
| 10 | 432 | 265 | 470 | 41.1 | 105 |
| 12 | 495 | 315 | 535 | 47.8 | 105 |
| 14 | 518 | 346 | 560 | 53.8 | 114 |
| 16 | 572 | 397 | 615 | 60.5 | 124 |
| 18 | 635 | 448 | 685 | 66.5 | 133 |
| 20 | 696 | 497 | 750 | 73.2 | 133 |
| 24 | 835 | 597 | 900 | 88.9 | 152 |